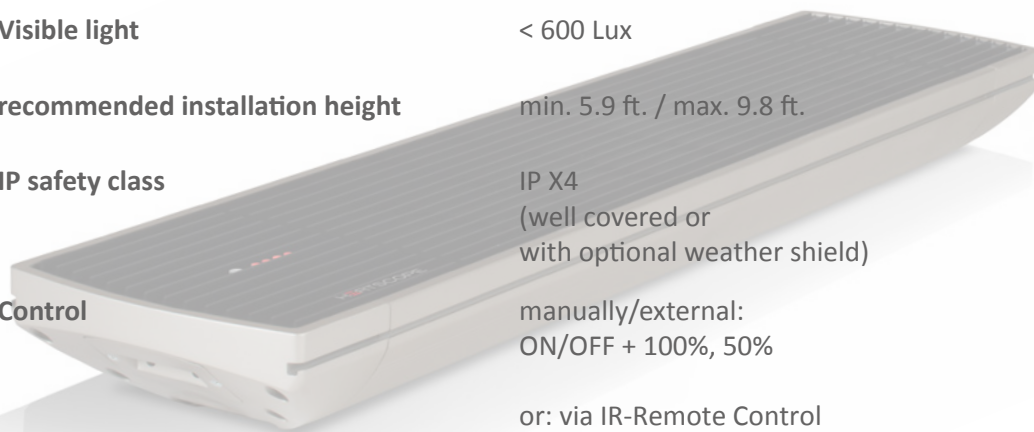


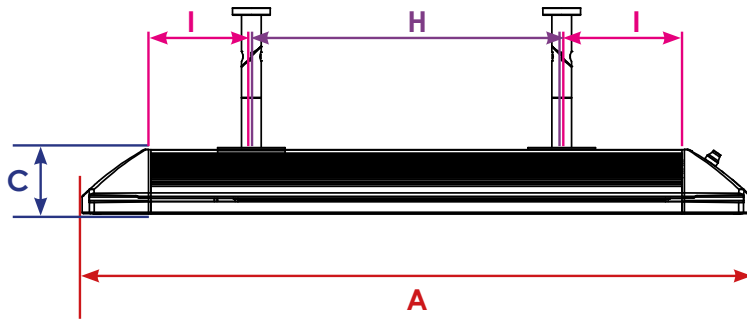
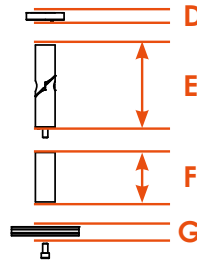
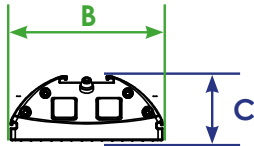
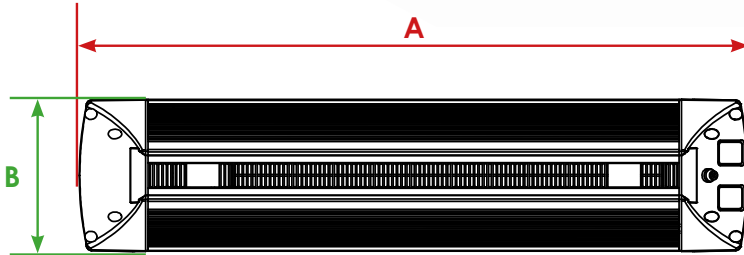
TECHNICAL DATA

HEATSCOPE Spot power heater / US

Voltage	208-240 V AC ~ – 50/60 Hz
Power	1600 W / 2200 W / 2800 W 5460 BTU / 7505 BTU / 9555 BTU
Amperage	6.96 A / 9.57 A / 12.17 A
Cable	43.3 inch / 3 x 0.00233 inch ² oder 43.3 inch / 4 x 0.00233 inch ²
Temperature surface	752 °F
Temperature housing	max. 266 °F
Filament temperature	2190-2370 °F
Colour temperature	1550-1650 K
max. power in	ca. 10 sec.
Visible light	< 600 Lux
recommended installation height	min. 5.9 ft. / max. 9.8 ft.
IP safety class	IP X4 (well covered or with optional weather shield)
Control	manually/external: ON/OFF + 100%, 50% or: via IR-Remote Control ON/OFF + 100%, 50%



HEATSCOPE SPOT



	A	B	C	D	E	F	G	H	I
MHS-SM1600 MHS-SP1600	26.38 inch	7.25 inch	3.23 inch	0.36 inch	3.94 inch	2.37 inch	0.44 inch	≤ 9.45 inch	≥ 5.31 inch
MHS-SM2200 MHS-SP2200	31.89 inch							≤ 11.82 inch	≥ 6.89 inch
MHS-SM2800 MHS-SP2800	35.04 inch							≤ 14.57 inch	≥ 6.89 inch